

## Embed in Concrete RFID tags

OPP4601 is a RFID tag specially apply to concrete and construction industry. With excellent high temperature, corrosion, impact resistance and other properties.



### Functional Specifications:

RFID Protocol:	EPC Class1 Gen2, ISO18000-6C
Frequency:	US(902-928MHZ), EU(865-868MHZ)
IC type:	Alien Higgs-3, (Monza M4QT, Monza R6, UCODE 7XM+ or other chips are customizable)
Memory:	EPC 96bits (Up to 480bits) , USER 512bits, TID64bits
Write Cycles:	100,000 times
Functionality:	Read/write
Data Retention:	50 Years
Applicable Surface:	Metal Surfaces
Read range on metal: (Fix Reader)	6.5m, US(902-928MHZ) 6.6m, EU(865-868MHZ)
Read range on metal: (Handheld Reader)	4.4m, US(902-928MHZ) 4.6m, EU(865-868MHZ)
Reading range when embedded 5cm depth in concrete: (Handheld Reader)	2.2m, US(902-928MHZ) 2.1m, EU(865-868MHZ)
Reading range when embedded 10cm depth in concrete: (Handheld Reader)	2.0m, US(902-928MHZ) 1.9m, EU(865-868MHZ)
Warranty:	1 Year

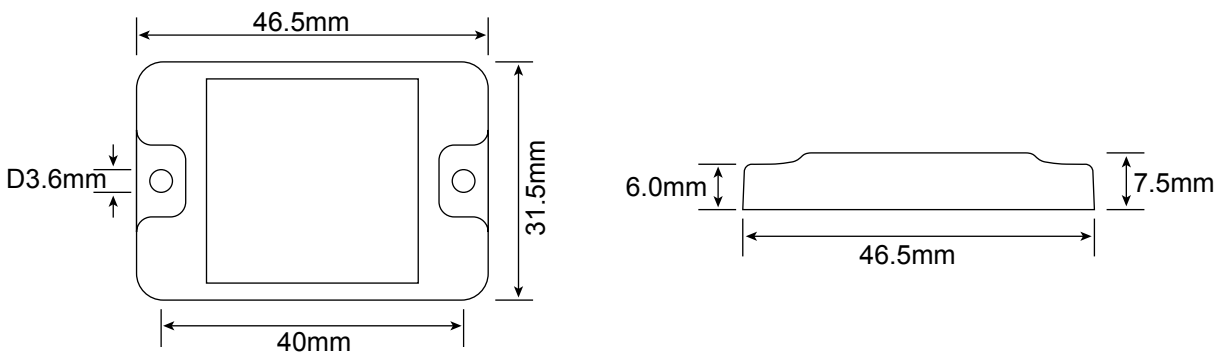
### Environmental Specification:

IP Rating:	IP68
Storage Temperature:	-40°C to +150°C
Operation Temperature:	-25°C to +100°C
Certifications:	Reach Approved, RoHS Approved, CE Approved, ATEX Approved.

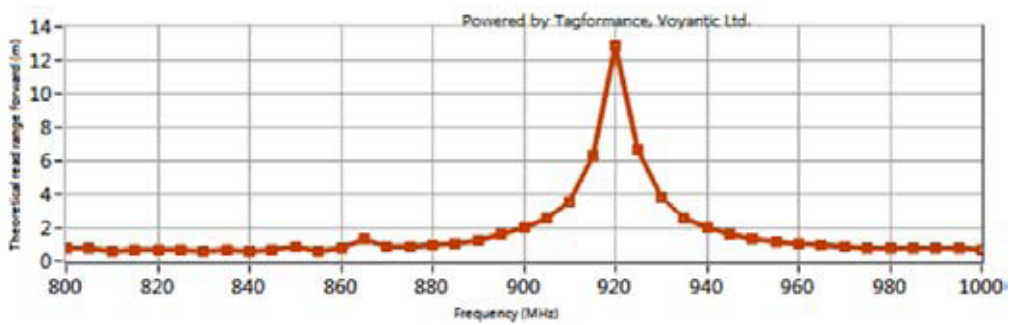
**Physical Specification:**

Size:	46.5x31.5mm, Hole:D3.6mmx2
Thickness:	7.5mm
Material:	PPS
Colour:	Black
Mounting Methods:	Embedded in concrete
Weight:	22g

**Dimensions:**



OPP4601U1, Metal Surface(902-928MHZ):



OPP4601E1, Metal Surface(865-868MHZ):

