



# High temperature, acid and alkali resistant RFID tags

## High Temperature Resistant

Withstand high temperature up to 300°C, withstand 260°C for long time.

## Acid Alkali resistant

Anti acid and alkali, can be used in harsh environment, strong acid and alkali.

## Applied on metal surface

The read range on metal surfaces can be up to 4.2m.

Devil-8000

Product Datasheet



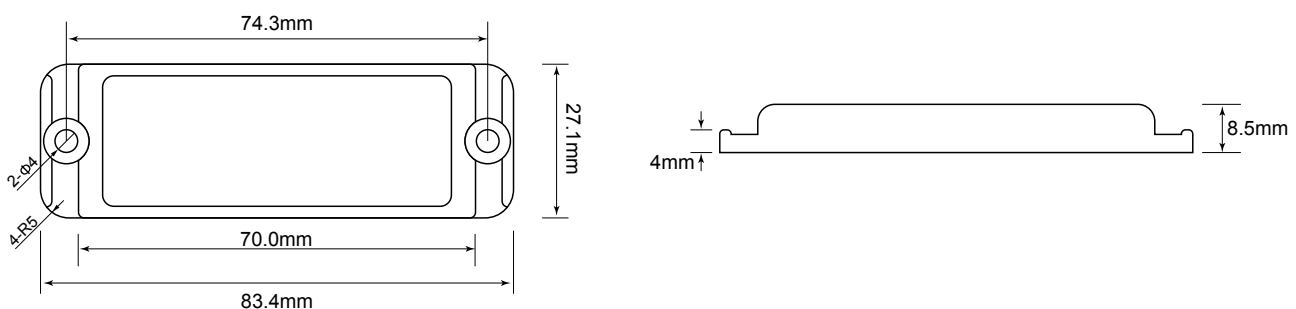
### Functional Specifications:

RFID Protocol:	EPC Class1 Gen2, ISO18000-6C
Frequency:	US(902-928MHZ), EU(865-868MHZ)
IC type:	Alien Higgs-3
Memory:	EPC 96bits (Up to 480bits) , USER 512bits, TID64bits
Write Cycles:	100,000 times
Functionality:	Read/write
Data Retention:	50 Years
Applicable Surface:	Metal Surfaces
Read Range : (Fix Reader)	4.2m , US(902-928MHZ) 3.3m , EU(865-868MHZ)
Read Range : (Handheld Reader)	2.8m , US(902-928MHZ) 2.0m , EU(865-868MHZ)
Warranty:	1 Year

### Physical Specification:

Size:	83.4x27.1mm, hole: D4mmx2
Thickness:	8.5mm
Material:	PEEK
Colour:	Black
Mounting Methods:	Screw-Hexagon socket head cap screw (M3 / M4)
Weight:	24g

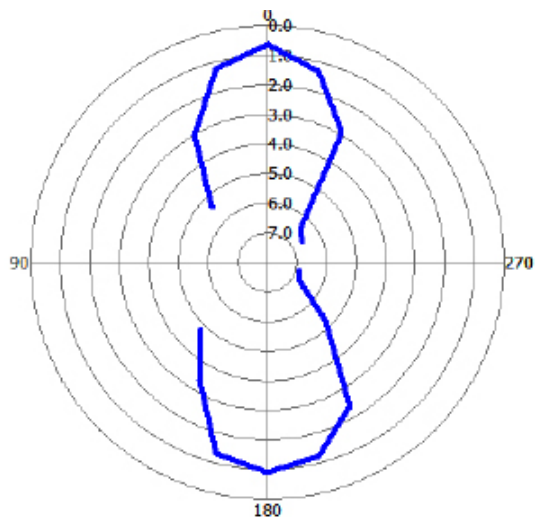
### Dimensions:



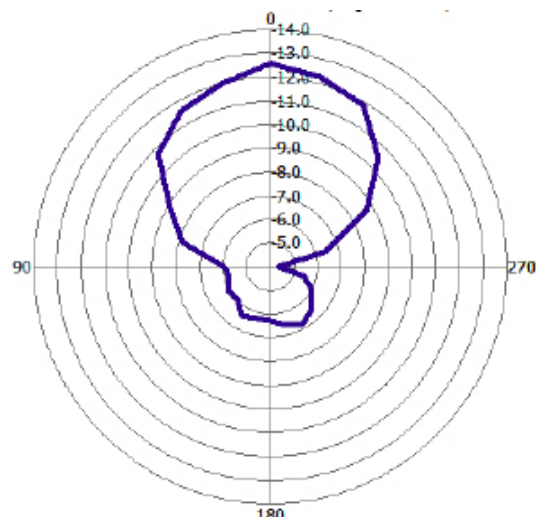
### Environmental Specification:

IP Rating:	IP68, IP69K
Withstand PH:	PH0 to PH14, and all other liquid that PEEK can handle with.
Storage Temperature:	-60°C to +260°C, +300°C 100 hours
Operation Temperature:	-40°C to +200°C
Reliability testing terms and results:	<ul style="list-style-type: none"> <li>a. Withstand 300°C for 100 hours continuously without damage.</li> <li>b. Withstand 280°C for 1000 hours continuously without damage.</li> <li>c. Withstand 260°C for 2000 hours continuously without damage.</li> <li>d. Withstand -20°C for 8 hours then 260°C for 16 hours per day, 80 days continuously without damage.</li> <li>e. Withstand from 150°C to -40°C, 7.5 cycles per day, 80 days continuously with total 600 cycles without damage.</li> <li>f. Withstand 260°C for 100 hours continuously then soaking in 2 meters depth water for 48 hours, without seepage or damage.</li> </ul>
Compression strength:	150Mpa
Certifications:	Reach Approved, RoHS Approved, CE Approved, ATEX Approved.

### Radiation pattern:



非金属表面



金属表面